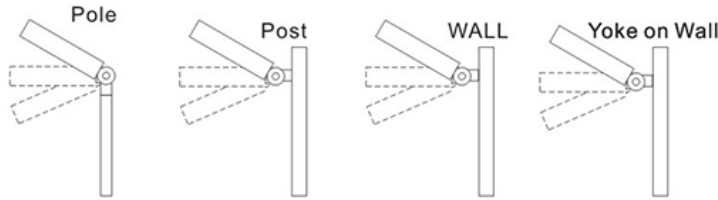


## LED TECHNOLOGY

50,000 Hours Life, 100 Watt, 120-277VAC 50/60Hz

### Applications:

Parking Lots, Security Lighting, Pole, Post Mount, Auto Dealerships, Walkways, Roadways, Facade Lighting, Grocery Stores.



Optional Mounts Available

### Features:

- Replace 300W MH Unit
- Suitable For Wet Location (IP65) Aluminum Rust Proof Body
- Adjustable Up/Down with Any Arm/Fitter
- Type 3 Light Distribution Pattern
- Accessories Sold Separately



### Specification:

Input Line Voltage	120-277VAC
Input Power	100W
Input Line Frequency	50/60Hz
Lamp Life (Rated)	50,000hrs
Minimum Starting Temp	-40°C/-40°F
Maximum Operating Temp	46°C/115°F
CCT	5000K
CRI	70
Lumens	13163
Dimmable	1-10V
EPA	1.89ft <sup>2</sup>

### Accessories:

LWP-SBA-SF  
Slip Fitter

LWP-SBA-WPM  
Pole Mount/Wall Mount

LWP-SBA-YM  
Yoke Mount



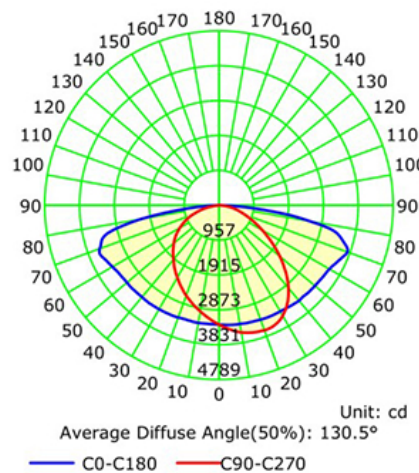
Motion Sensor

Photocell

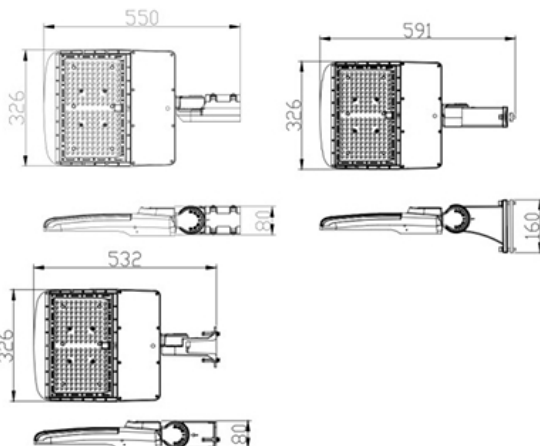


Note: Driver cover plate is changed when motion sensor is added

Luminous Intensity Distribution Curve



Height	Avg./Nadir, E	Beam Angle: 163.1°	Diameter / Area
1.0m	89.48/ 3278.96lx		13.45m / 142.00sq.m
2.0m	22.37/ 819.74lx		26.89m / 567.98sq.m
3.0m	9.94/ 364.33lx		40.34m / 1277.96sq.m
4.0m	5.59/ 204.93lx		53.78m / 2271.94sq.m
5.0m	3.58/ 131.16lx		67.23m / 3549.90sq.m
6.0m	2.49/ 91.08lx		80.68m / 5111.85sq.m
7.0m	1.83/ 66.92lx		94.12m / 6957.80sq.m
8.0m	1.40/ 51.23lx		107.57m / 9087.74sq.m
9.0m	1.10/ 40.48lx		121.01m / 11501.67sq.m
10.0m	0.89/ 32.79lx		134.46m / 14199.59sq.m



Model:#	Description	Wattage	Metal Halide Equivalent	Lumens
LWP100SB/850	100 Watt LED Area Light Bronze Finish, Day Light	100W	300W	13163

DLC 5.1

\*5 Year Limited Warranty

