

**LED**  
TECHNOLOGY

**50,000 Hours Life, 10 Watt, 120VAC, 90CRI**

**Applications:**

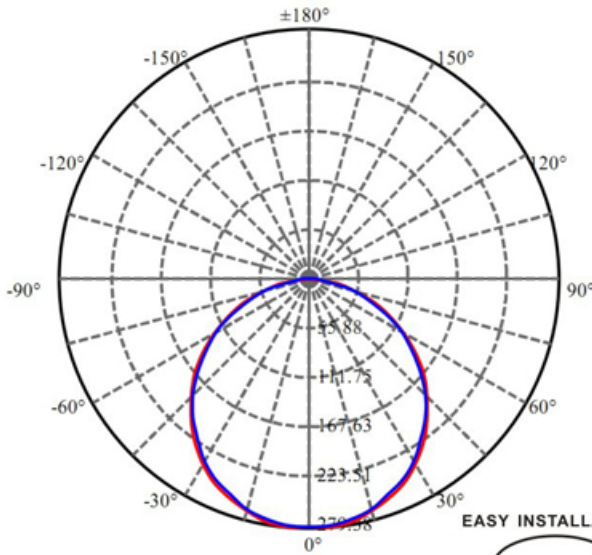
4" Recessed, J-Box Down Light



Switch Colors Before Installing  
3000K Warm White  
5000K Day Light

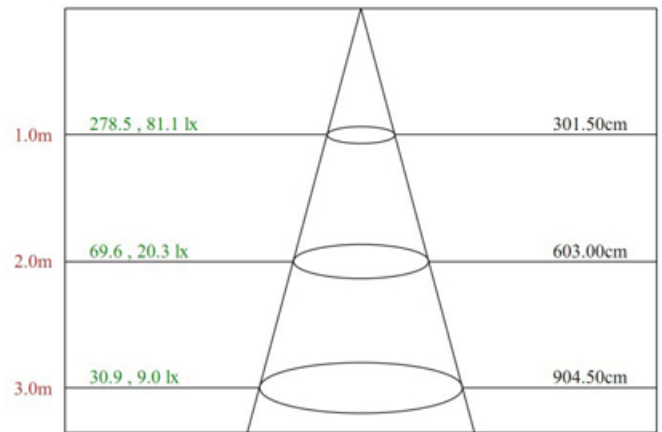
**Features:**

- Replace 60W Incandescent R Bulb Save 80% Energy
- Rated Life of 50,000 Hr
- Dims on most standard household dimmers
- Smooth Dimming to 10% or Below
- 2 color adjustable 3000K or 5000K Switchable
- Flicker free
- 90 CRI Wide-Spectrum True Color LED

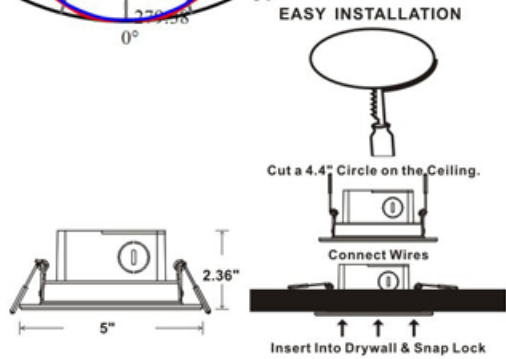


**Specification:**

Input Line Voltage:	120VAC
Input Power:	10W
Input Line Frequency:	60Hz
Lamp Life (Rated):	50,000hrs
Minimum Starting Temp:	-20°C/-4°F
Maximum Operating Temp:	40°C/104°F
CCT Settable:	3000K/5000K
CRI:	≥90
Lumens:	700
Beam Angle:	112°
CBCP:	278
Dimmable:	Standard Triac Dimmer



Max, Ave Beam angle of C0 plane 112.88  
Note: The curves indicate the illuminated area and the average illumination when the luminaire is at different distance.



**WARRANTY**  
5-YEAR\*

Model:#	Description	wattage	lumens	Socket
LC10RT4-JBX/2CCT	4 Inch Dimmable, LED J-Box Downlight Set to Warm White to Day Light	10W	700	N/A

\* 5 Year Limited Warranty

Suitable for Wet Location

UPC: 80680215557-9

